

HILLIARD

THATCHED CHANDELIER



DESIGN The Thatched is an example of the Glass Tile Collection created by Noel and Janene Hilliard. A cast bronze frame is combined with a woven mosaic of glass tiles. Each tile is beveled soft in a kiln firing, wrapped in copper foil, and soldered over its unique shape, a craftsmanship style that only Hilliard Lamps can achieve.

FINISHES Antique Bronze and Ivory Glass Tiles, additional finishes available.

HILLIARD

THATCHED CHANDELIER

5 SIZES AVAILABLE

DIMENSIONS:	WEIGHT:	LAMPING:	MIN HEIGHT:
20 DIA x 4 H IN	23 LBS	3 - 40 W	7.5 IN
24 DIA x 6 H IN	25 LBS	3 - 40 W	11 IN
29 DIA x 6 H IN	27 LBS	6 - 40 W	12 IN
34 DIA x 7 H IN	32 LBS	6 - 60 W	14 IN
43 DIA x 9 H IN	40 LBS	12 - 60 W	16 IN
51 DIA x 10 H CM	10 KG	3 - 40 W	19 CM
61 DIA x 15 H CM	11 KG	3 - 40 W	28 CM
74 DIA x 15 H CM	12 KG	6 - 40 W	31 CM
86 DIA x 18 H CM	15 KG	6 - 60 W	36 CM
109 DIA x 23 H CM	18 KG	12 - 60 W	41 CM

CANOPY: 20", 24", 29", 34" - 5.5 DIA Canopy
43" - 7 DIA Canopy

Height determined by designer.
Over 36" overall height includes
additional charges.

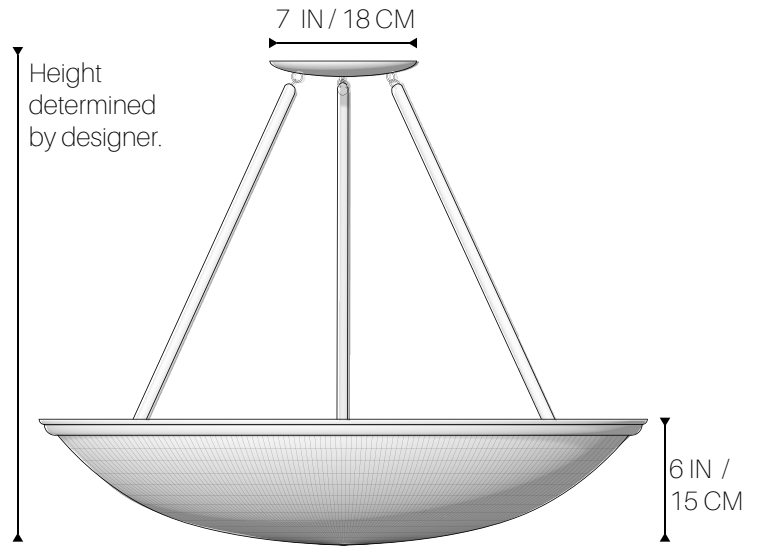
DOWNLIGHT: Option to add a Halogen Downlight
in center 50 Watt Halogen / or
equivalent

VOLTAGE: 120v standard

UL DAMP LISTED/ CE AVAILABLE

J-BOX REQUIREMENT: Standard
43" x 9" (109 x 23cm) is Reinforced

Each fixture is hand crafted, signed,
and numbered in Arcata, CA

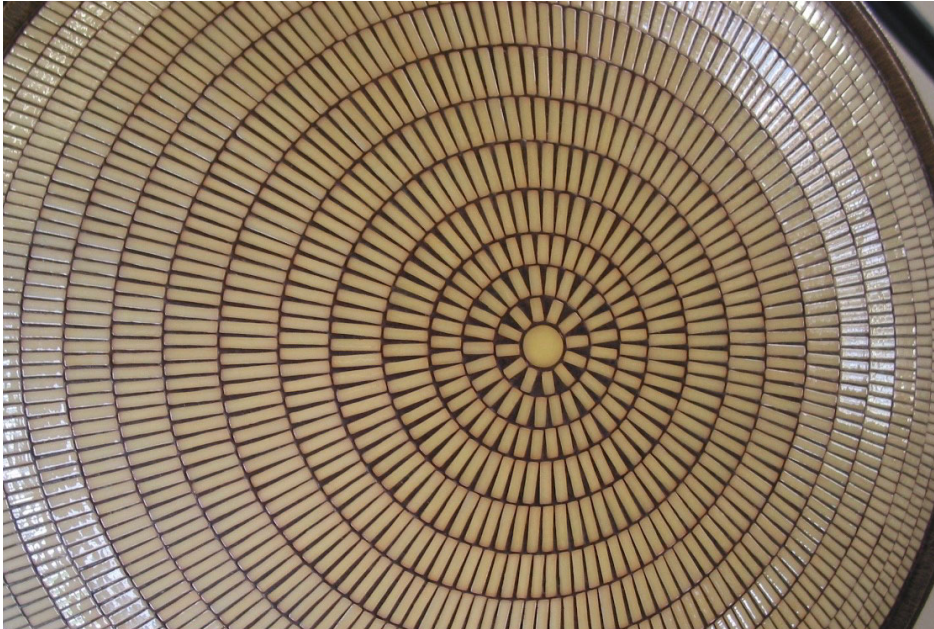


HILLIARD



THATCHED CHANDELIER (images with downlight)

HILLIARD



STANDARD FINISHES AVAILABLE

CONTACT
INFO@HILLIARDLAMPS.COM
FOR CUSTOM REQUESTS



FINE HAMMERED
BRONZE